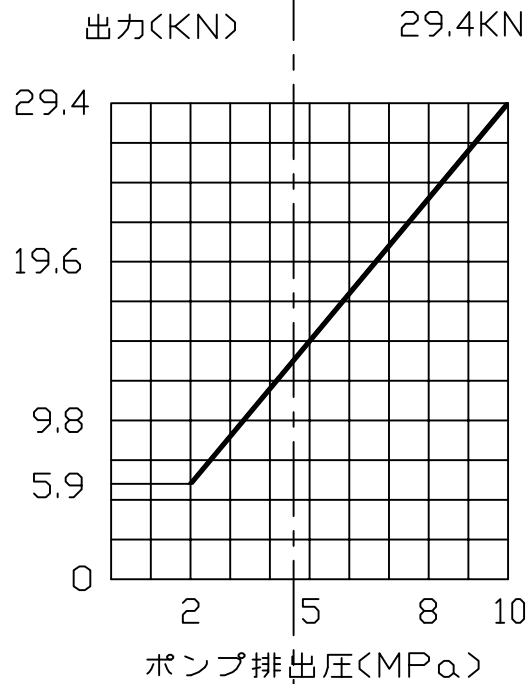

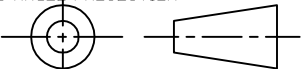


# 圧力荷重換算表



株式会社 マテックス精工

FINISHING		TREATMENT		MATERIAL		QUANTITY		MACHINE NAME	
						1		A-3標準プレス	
△		SCALE		DATE		UNIT NAME			
△		1/1							
△				PARTS NAME					
				銘板<圧力表>					
THIRD ANGLE PROJECTION		CHECKED BY		DESIGNED BY		DRAWN BY		CODE	
						A4		PARTS NO	
								MA-A3-032	