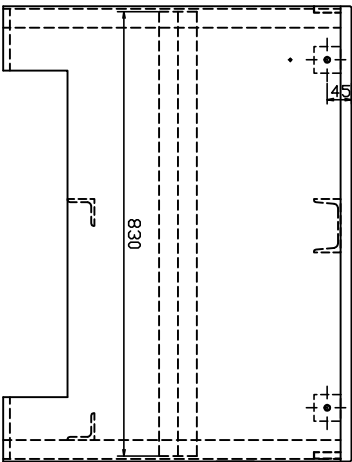
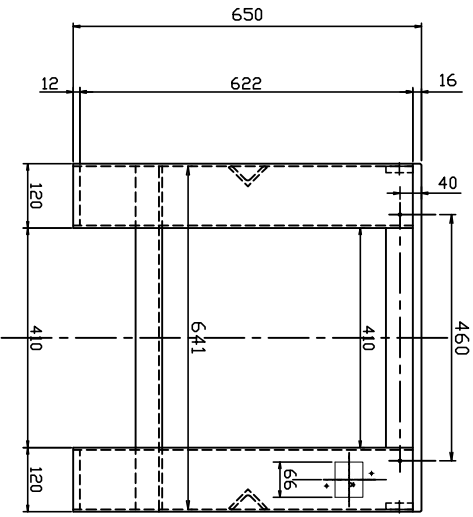
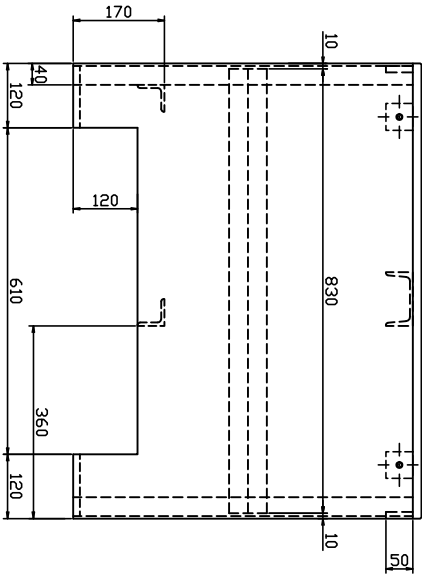
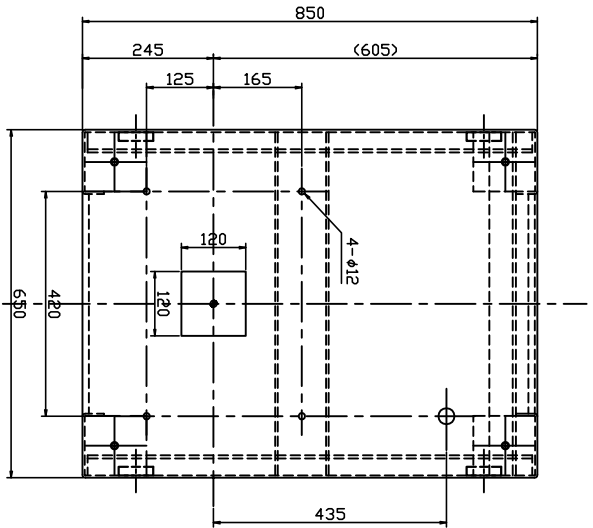


後面



指示方向面ハCO5トスリ

FINISHING	TREATMENT	MATERIAL	QUANTITY	CUSTOMER
(塗)	塗装	SS400	1	
SCALE	1/4	DATE		
DESIGNER		DR		
CHECKER				
APPROVER				
PARTS NAME	A-5用梁台			
PARTS NO.	MA-A-5-K-001			