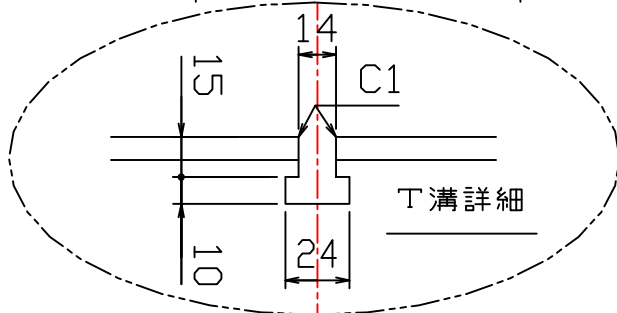
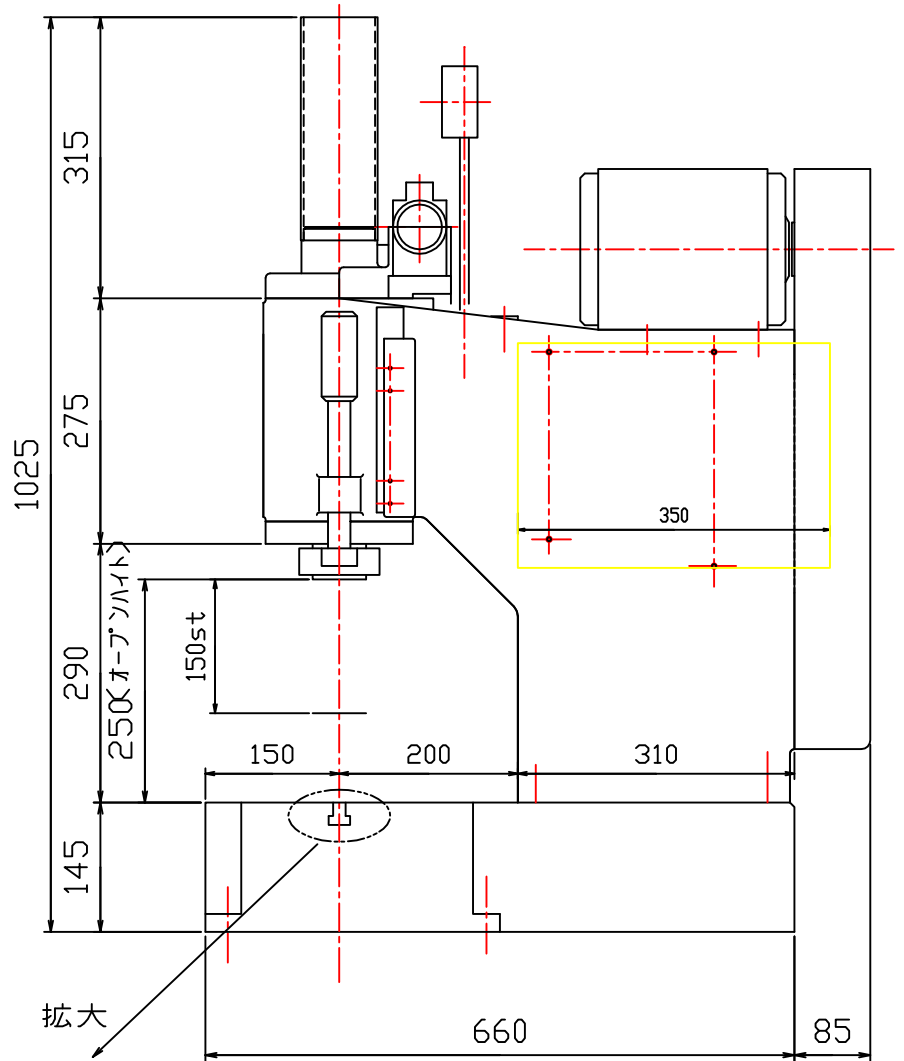
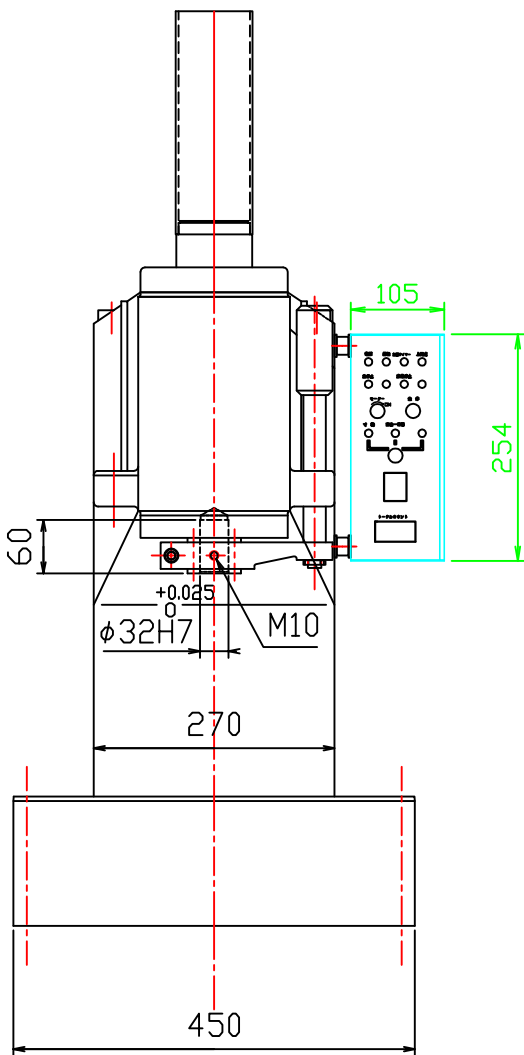
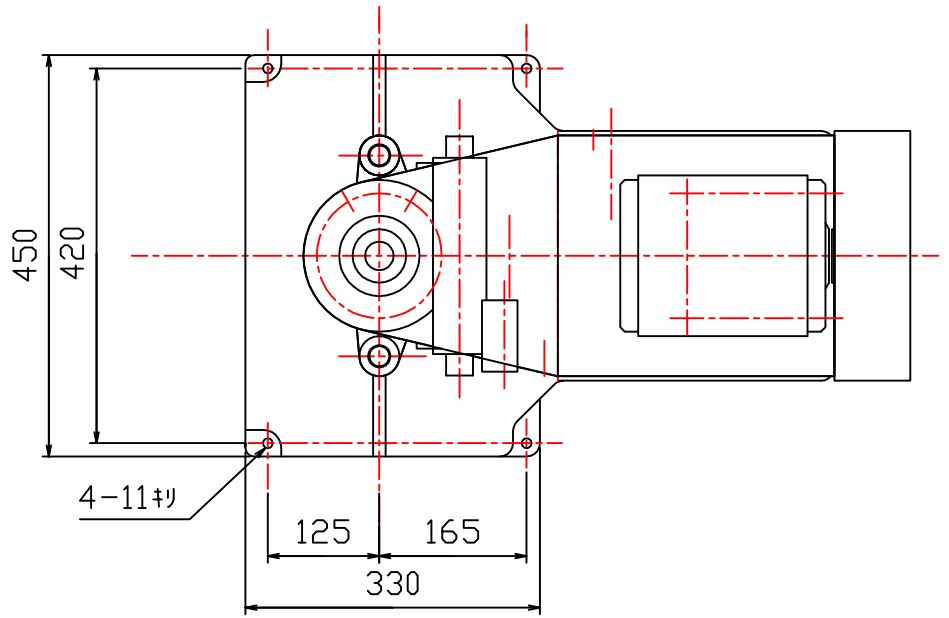
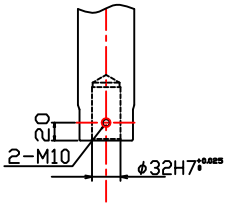


ラム 寸法図



FINISHING	TREATMENT	MATERIAL	QUANTITY	MACHINE NAME
				A-5型
		SCALE	DATE	UNIT NAME
				PARTS NAME
				外觀図
THIRD ANGLE PROJECTION		CHECKED BY	DESIGNED BY	DRAWN BY
				A1
				PARTS NO