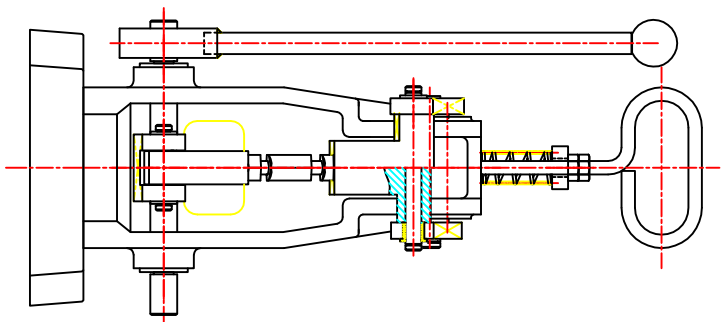
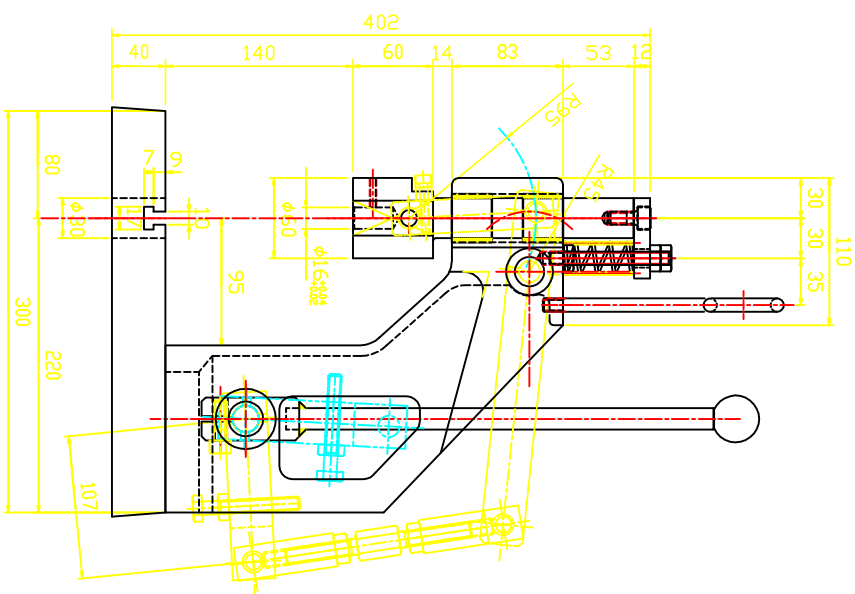
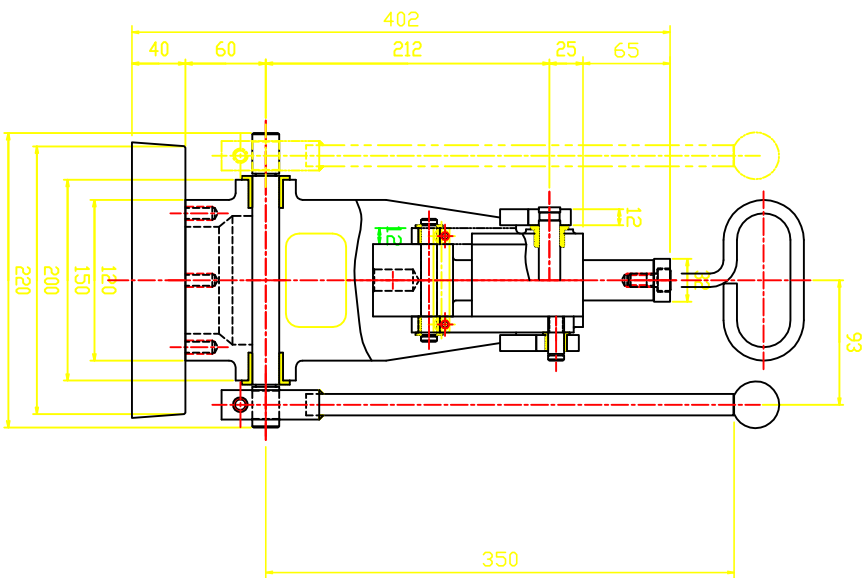
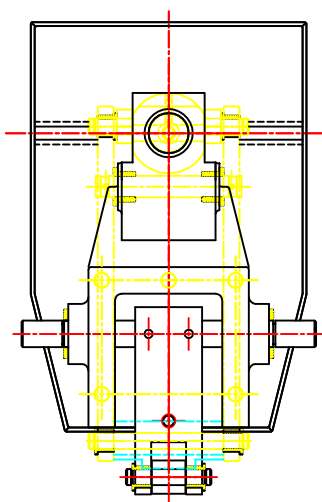
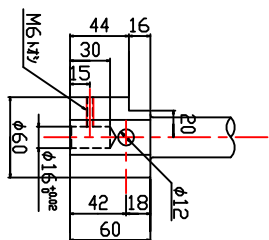


ラム寸法図



指示ナキ角及び継ぎ目は仕上げ時糸面取りのこと(必ず)

FIGURE NO.	1/2	DATE	
SCALE	1/2	UNIT	MM
DESIGNED BY	MAIER	CHECKED BY	AI
DRAWN BY		DATE	
PARTS NO.		PARTS NO.	
QUANTITY		PLACING NAME	
MATERIAL			
FINISHING			
REMARKS	T-2型		
	外觀図		