

H-1

$$F(\text{kgf}) = \frac{W(\text{kgf}) \times 48}{2 \times 230}$$

W=100(kgf)の時

$$F(\text{kgf}) = \frac{100(\text{kgf}) \times 48}{2 \times 230}$$

$$= 10.43(\text{kgf})$$

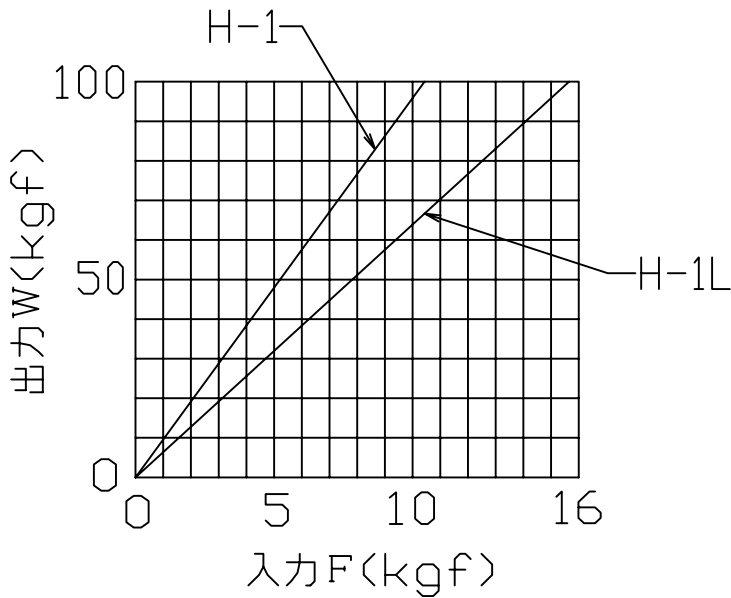
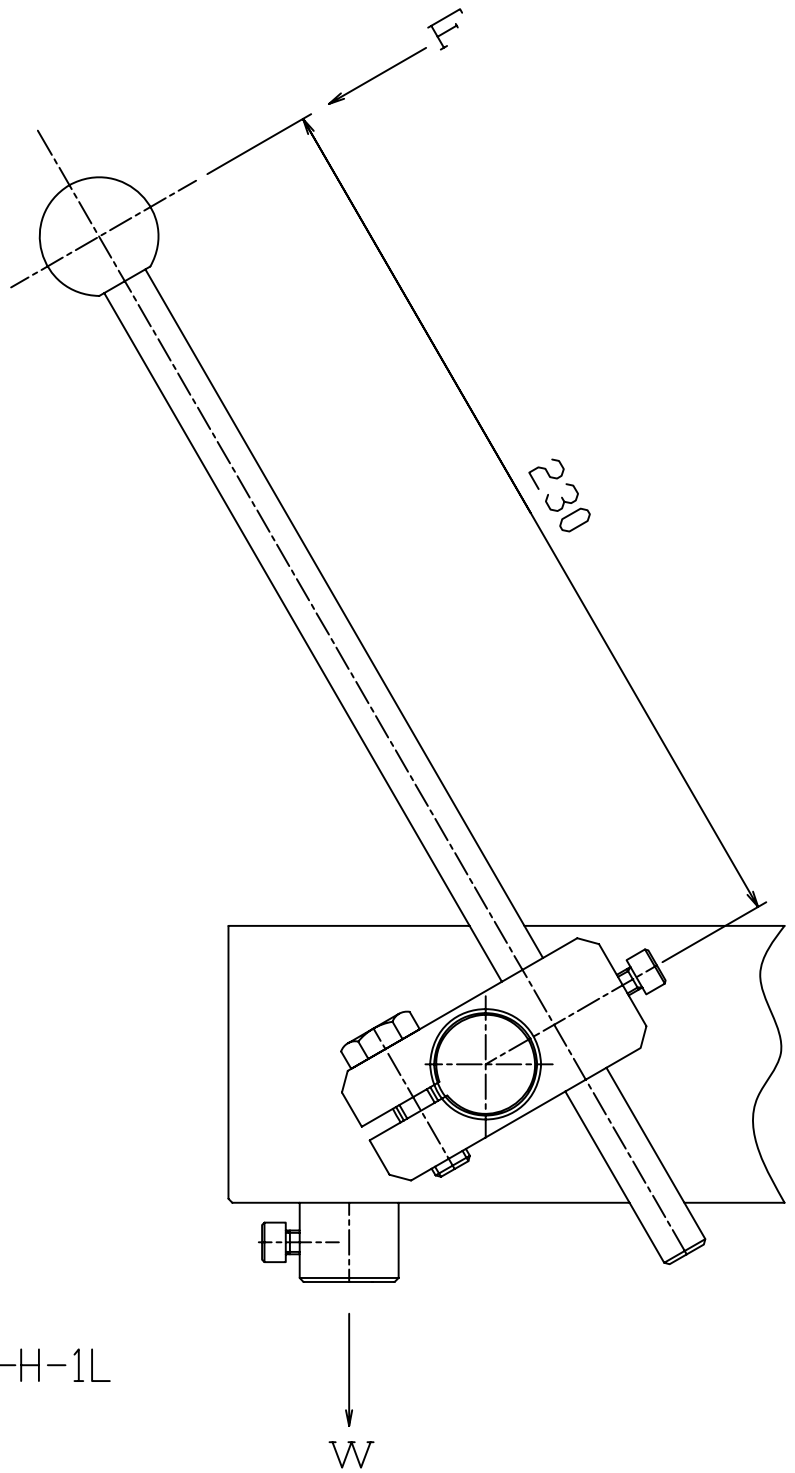
H-1L

$$F(\text{kgf}) = \frac{W(\text{kgf}) \times 72}{2 \times 230}$$

W=100(kgf)の時

$$F(\text{kgf}) = \frac{100(\text{kgf}) \times 72}{2 \times 230}$$

$$= 15.65(\text{kgf})$$



FINISHING		TREATMENT		MATERIAL		QUANTITY		MACHINE NAME	
△				SCALE		DATE		UNIT NAME	
△				<b>MATEX</b>				PARTS NAME	
△								PARTS NO	
THIRD ANGLE PROJECTION				CHECKED BY	DESIGNED BY	DRAWN BY	A4		