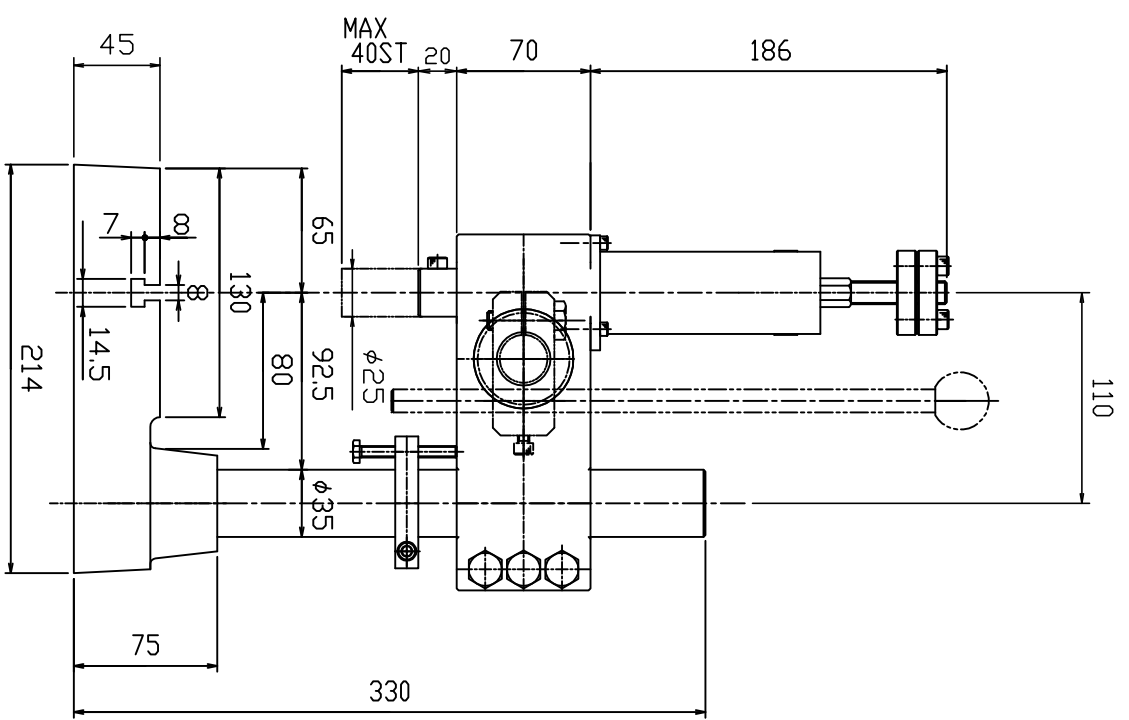
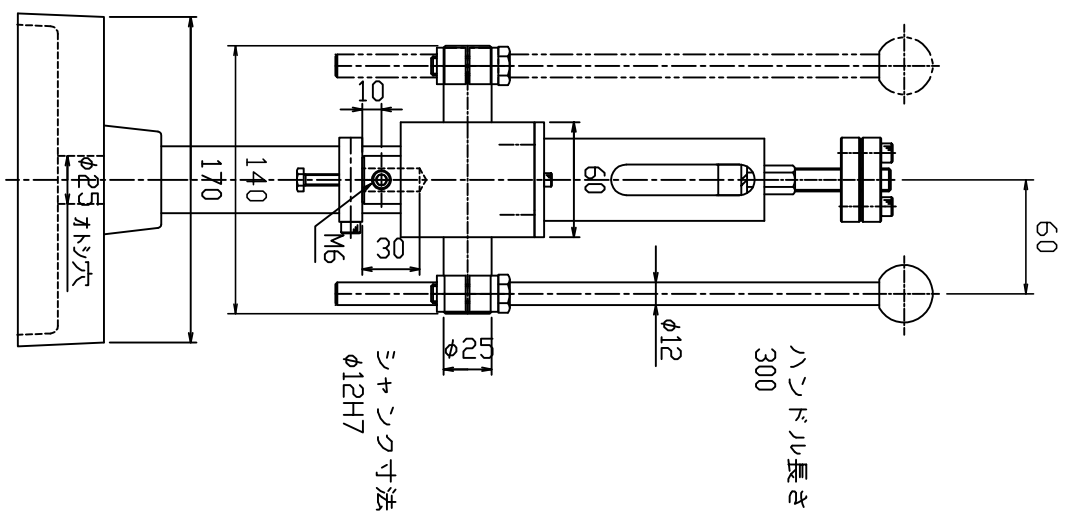
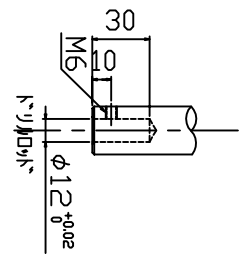


ラム寸法図



指示キ面ハC トスル

FINISHING	TREATMENT	MATERIAL	QUANTITY	CUSTOMER
SCALE	DATE	MACHINE NAME		
1/2		H-1		
APPROVED BY		PARTS NAME		
CHECKED BY		外観		
DRAWN BY		PARTS NO		
A2				